

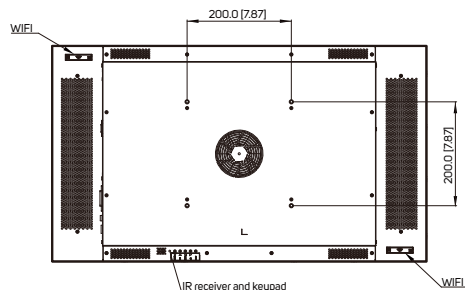
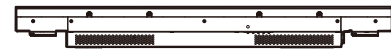
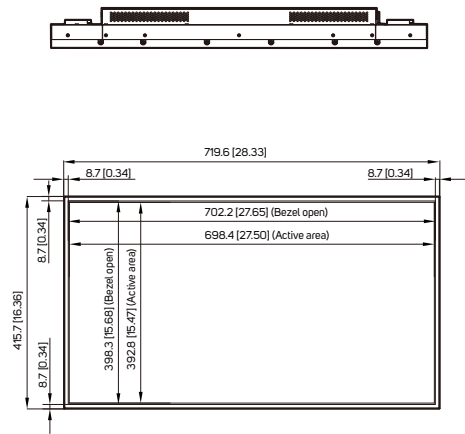
# Datenblatt: Window TFT 32 E

## SPECIFICATION

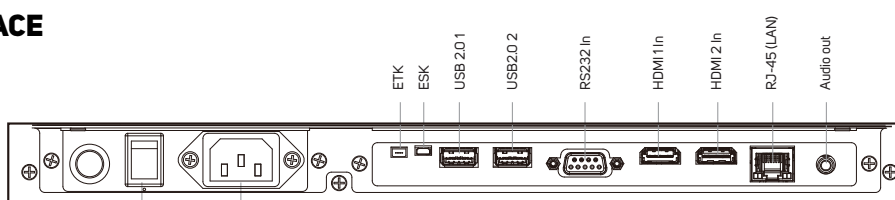
<b>MODEL</b>	DS323LT4	
<b>PANEL</b>	LCD Panel Size	31.55"
	Native Resolution	1920 x 1080
	Brightness	2500 nits
	Color Depth	10 bits
	Contrast Ratio	1300:1
	Response Time (Typ.)	9 ms
	Viewing Angle	178° / 178°
<b>POWER</b>	Light Lifetime (Typ.)	100,000 hrs
	Blackening Defect Free	Up to 110°C (230°F)
	Power Supply	Internal
	Rated Voltage	100-240V ~ 50/60HZ
<b>MECHANICAL SPECS</b>	Power Consumption (Typ./ Max.)	145 W
	Power Saving Mode	< 1W
	Bezel Width (T/B/L/R)	8.7 / 8.7 / 8.7 / 8.7 mm
<b>FEATURE</b>	Cabinet Color	Black
	Monitor Dimension (LxHxD)	719.6 x 415.7 x 76.6 mm
	Monitor Weight	9.8 kg
	Orientation	Portrait / Landscape
<b>INPUT</b>	VESA Mounting (LxH)	200 x 200 mm
	Language	English
	Support SNMP (Up to V3.0)	Yes
	Image Retention Protection	Yes
	Auto Orientation Sensor	Yes
	Ambient Light Sensor	Yes
	Power On/Off Scheduling	Yes
<b>OUTPUT</b>	OSD Menu Rotation	Yes
	HDMI 2.1 (HDCP 2.2)	x2 (1080p recommended)
<b>EXTERNAL CONTROL</b>	USB 2.0	x2
	Audio	x1
	RS-232	In x1
<b>ENVIRONMENT</b>	RJ-45	x1 (LAN)
	ETK Port (Thermal)	x1
	ESK Port (IR, Ambient)	x1
<b>INTERNAL PLAYER</b>	Operating Temperature	0° ~ 45° C
	Storage Temperature	-20° ~ 60° C
	Humidity	10% ~ 80% RH Non-condensing
	Operating System	Android 11.0
	Processor	Quad-core A53
	Clock Speed	1.5GHz
	Main Memory Interface	DDR4, 2GB
<b>ACCESSORY</b>	Graphics	Mali G52
	Storage	Internal: 8GB eMMC Flash
	Multimedia	4K video decoders, 30/60fps H.264 / VP9 10bit, MPEG-1/2/4 802.11a/b/g/n/ac (2T2R)
	Wi-Fi Specification	802.11a/b/g/n/ac (2T2R)
<b>CERTIFICATION</b>	CE / CB / FCC / ETL / RCM / RoHS / PSE / VCCI	

## DIMENSIONS

Unit: mm [inch]



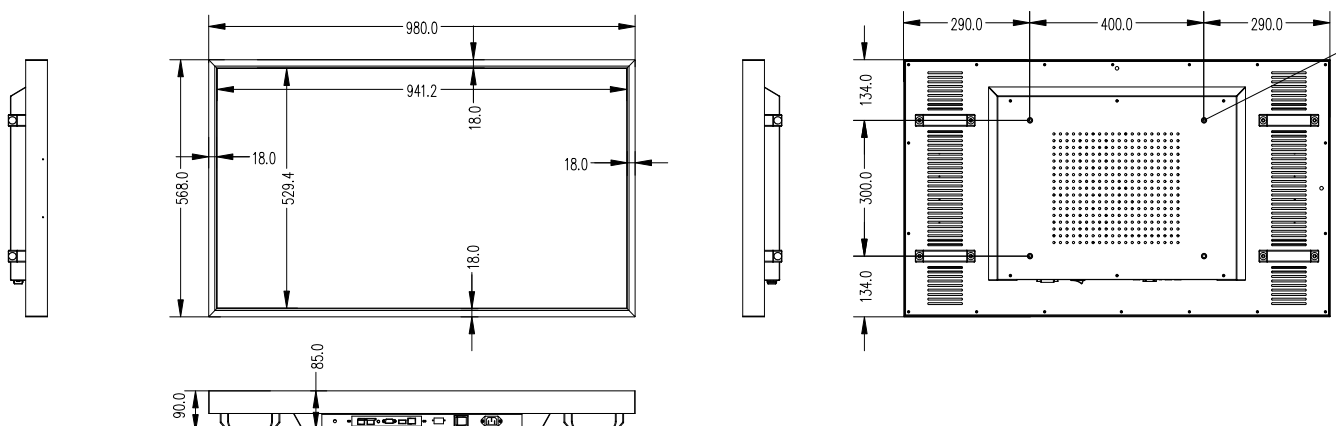
## INTERFACE



## Datenblatt: Window TFT 43 3500

		43 Inch
Panel	Resolution	1920x1080
	Bezel Size (mm)	18
	Display Area (mm)	941.2x529.4
	Aspect Ratio	16:9
	Brightness (cd/m <sup>2</sup> )	3,500
	Colour	16.7M
	Viewing Angle	178°
	Contrast Ratio	1,100:1
	Blackening Defect Free	Up to 110°C (230°F)
AV Inputs	Video	HDMI, VGA
	Audio	Audio Socket (3.5mm)
Power	Average Power Consumption (W) At Maximum Brightness	187
	Input Voltage	AC110~240V (50Hz~60Hz) (Manual switching necessary)
Mechanical	Unit Size (WxHxD mm)	980x568x85
	Package Size (WxHxD mm)	1080x670x225
	VESA Holes (mm)	400x300
	No. of Handles	4
	Net Weight (kg)	19.2
	Gross Weight (kg)	28
Environmental	Surface Panel Temperature	Up to 110°C (230°F)
	Operating Temperature	0°C to 50°C
	Storage Temperature	-30°C to 60°C
	Operating Humidity	10% to 80%
	Storage Humidity	5% to 95%
Computer	Media Formats	Video (MPG, AVI, MP4, RM, RMVB, TS), Audio (MP3, WMA), Image (JPG, GIF, BMP, PNG)
	Media Resolution	1920x1080/1080x1920
	CPU	Quad-Core ARM Cortex A17, 1.6GHz
	GPU	Quad-Core ARM Mali-T764
	RAM	DDR3 2GB
	Internal Storage	8GB eMMC
	USB	1 x USB (OTG/HOST), 1 x USB (HOST)
	LAN	100M/1000M Ethernet (Network Version Only)
	Wi-Fi	802.11b/g/n/ac (Network Version Only)
	OS	Android 7.1
	Graphic Engine	OpenGL ES 1.1/2.0/3.0/3.1, OpenCL 1.1, Renderscript, Direct3D 11.1
Accessories	Included	Scheduling Software, Remote Control, User Manual
	Optional	Network Upgrade, Wall Mount, Floor Stand/Trolley, Ceiling Mount, Table Stand
Warranty	Warranty Period	3 Year Warranty
	Technical Support	Lifetime

Errors and omissions excepted



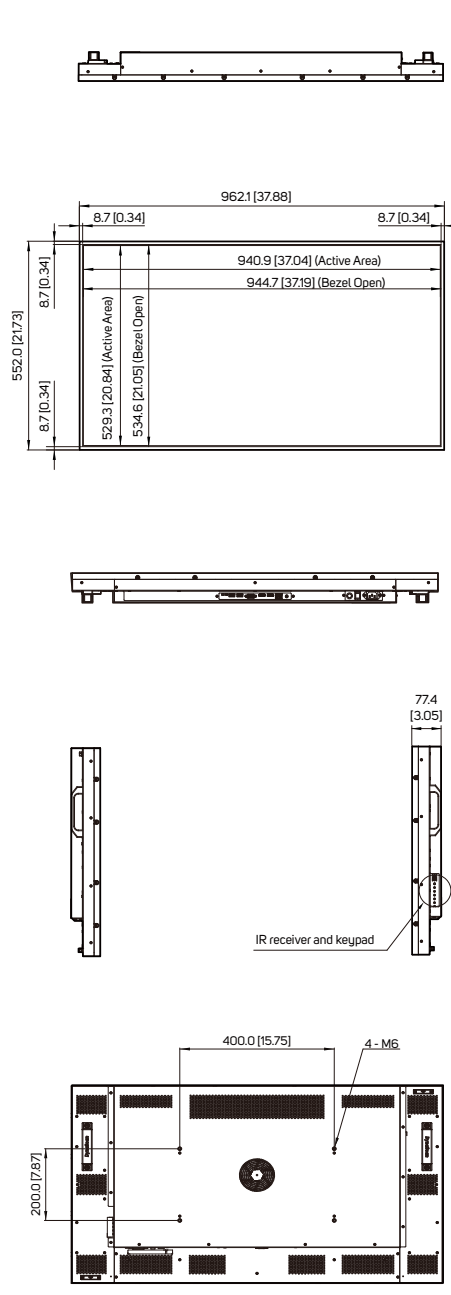
## Datenblatt: Window TFT 43 E

### SPECIFICATION

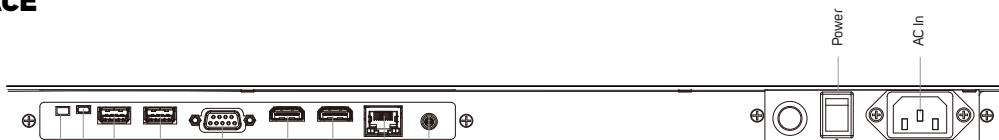
<b>MODEL</b>	DS431LT4	
<b>PANEL</b>	LCD Panel Size	42.5"
	Native Resolution	1920 x 1080
	Brightness	2500 nits
	Color Depth	8 bits
	Contrast Ratio	4000:1
	Response Time (Typ.)	8 ms
<b>POWER</b>	Viewing Angle	178° / 178°
	Light Lifetime (Typ.)	100,000 hrs
	Blackening Defect Free	Up to 110°C (230°F)
	Power Supply	Internal
<b>MECHANICAL SPECS</b>	Rated Voltage	100-240V ~ 50/60HZ
	Power Consumption (Max.)	220 W
<b>FEATURE</b>	Power Saving Mode	<1 W
	Bezel Width (T/B/L/R)	8.7 / 8.7 / 8.7 / 8.7 mm
	Cabinet Color	Black
	Monitor Dimension (LxHxD)	962.1 x 552.0 x 77.4 mm
	Monitor Weight	18.1 kg
	Orientation	Portrait / Landscape
	VESA Mounting (LxH)	400 x 200 mm
	Carrying Handles	Yes
	Language	English
	Support SNMP (Up to V3.0)	Yes
<b>INPUT</b>	Image Retention Protection	Yes
	Auto Orientation Sensor	Yes
	Ambient Light Sensor	Yes
	Power On/Off Scheduling	Yes
<b>OUTPUT</b>	OSD Menu Rotation	Yes
	Audio	x1
<b>EXTERNAL CONTROL</b>	RS-232	In x1
	RJ-45	x1 (LAN)
	ETK Port (Thermal)	x1
	ESK Port (IR, Ambient)	x1
<b>ENVIRONMENT</b>	Operating Temperature	0° ~ 45° C
	Storage Temperature	-20° ~ 60° C
	Humidity	10% ~ 80% RH Non-condensing
<b>INTERNAL PLAYER</b>	Operating System	Android 11.0
	Processor	Quad-core A53
	Clock Speed	1.5GHz
	Main Memory Interface	DDR4, 2GB
	Graphics	Mali G52
	Storage	Internal: 8GB eMMC Flash
<b>ACCESSORY</b>	Multimedia	4K video decoders, 30/60fps H.264 / VP9 10bit, MPEG-1/2/4
		Quick Start Guide, Power Cord, Remote Control, Batteries, IR & Ambient Sensor
<b>CERTIFICATION</b>	CE / CB / FCC / ETL / RCM / RoHS / PSE / VCCI	

### DIMENSIONS

Unit: mm [Inch]



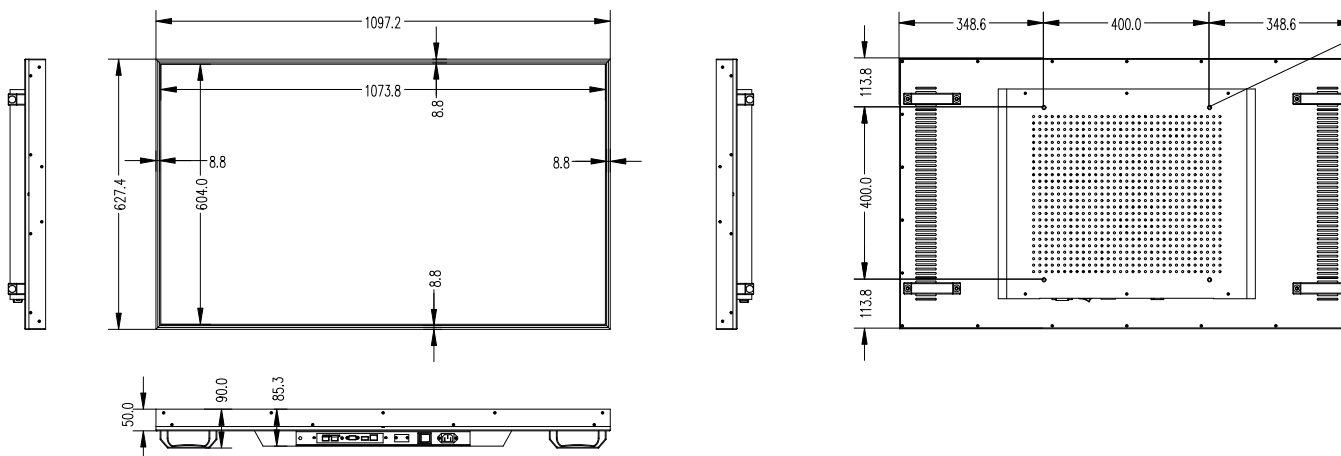
### INTERFACE



## Datenblatt: Window TFT 49 3500

		49 Inch
Panel	Resolution	1920x1080
	Bezel Size (mm)	8.8
	Display Area (mm)	1073.8x604
	Aspect Ratio	16:9
	Brightness (cd/m <sup>2</sup> )	3,500
	Colour	16.7M
	Viewing Angle	178°
	Contrast Ratio	1,300:1
	Blackening Defect Free	Up to 110°C (230°F)
AV Inputs	Video	HDMI, VGA
	Audio	Audio Socket (3.5mm)
Power	Average Power Consumption (W) At Maximum Brightness	220
	Input Voltage	AC110~240V (50Hz~60Hz) (Manual switching necessary)
Mechanical	Unit Size (WxHxD mm)	1097.2x627.4x85
	Package Size (WxHxD mm)	1200x705x223
	VESA Holes (mm)	400x400
	No. of Handles	4
	Net Weight (kg)	23.6
	Gross Weight (kg)	31
Environmental	Surface Panel Temperature	Up to 110°C (230°F)
	Operating Temperature	0°C to 50°C
	Storage Temperature	-30°C to 60°C
	Operating Humidity	10% to 80%
	Storage Humidity	5% to 95%
Computer	Media Formats	Video (MPG, AVI, MP4, RM, RMVB, TS), Audio (MP3, WMA), Image (JPG, GIF, BMP, PNG)
	Media Resolution	1920x1080/1080x1920
	CPU	Quad-Core ARM Cortex A17, 1.6GHz
	GPU	Quad-Core ARM Mali-T764
	RAM	DDR3 2GB
	Internal Storage	8GB eMMC
	USB	1 x USB (OTG/HOST), 1 x USB (HOST)
	LAN	100M/1000M Ethernet (Network Version Only)
	Wi-Fi	802.11b/g/n/ac (Network Version Only)
	OS	Android 7.1
	Graphic Engine	OpenGL ES 1.1/2.0/3.0/3.1, OpenCL 1.1, Renderscript, Direct3D 11.1
	Accessories	Included
Optional		Network Upgrade, Wall Mount, Floor Stand/Trolley, Ceiling Mount, Table Stand
Warranty	Warranty Period	3 Year Warranty
	Technical Support	Lifetime

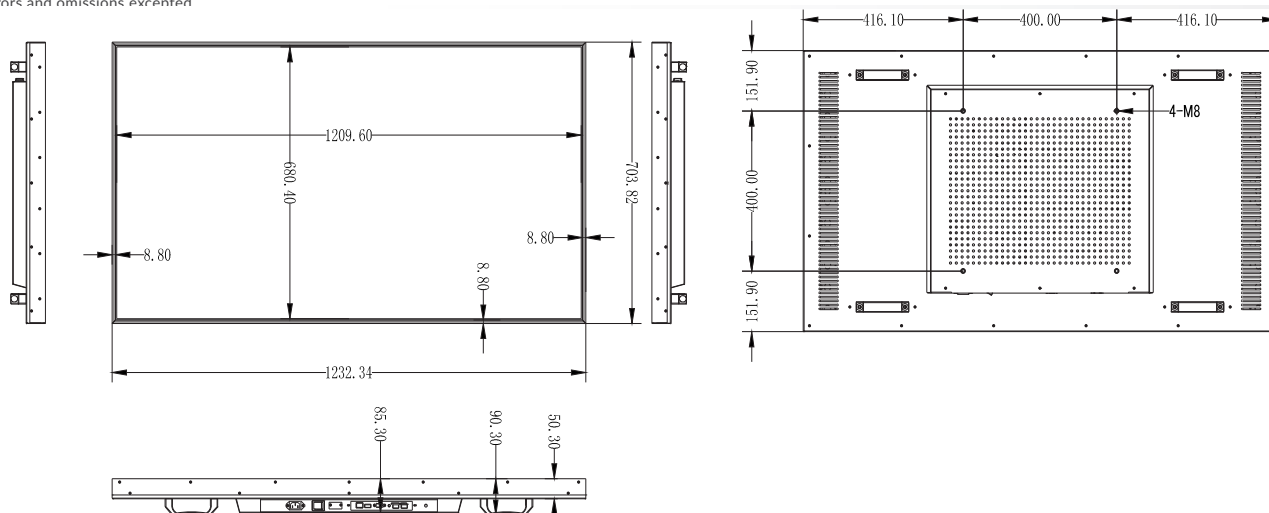
Errors and omissions excepted



## Datenblatt: Window TFT 55 3500

		55 Inch
Panel	Resolution	1920x1080
	Bezel Size (mm)	8.8
	Display Area (mm)	1209.6x680.4
	Aspect Ratio	16:9
	Brightness (cd/m <sup>2</sup> )	3,500
	Colour	16.7M
	Viewing Angle	178°
	Contrast Ratio	1,000:1
	Blackening Defect Free	Up to 110°C (230°F)
AV Inputs	Video	HDMI, VGA
	Audio	Audio Socket (3.5mm)
Power	Average Power Consumption (W) At Maximum Brightness	285
	Input Voltage	AC110~240V (50Hz~60Hz) (Manual switching necessary)
Mechanical	Unit Size (WxHxD mm)	1232.34x703.82x85.3
	Package Size (WxHxD mm)	1350x811x223
	VESA Holes (mm)	400x400
	No. of Handles	4
	Net Weight (kg)	31
	Gross Weight (kg)	40
Environmental	Surface Panel Temperature	Up to 110°C (230°F)
	Operating Temperature	0°C to 50°C
	Storage Temperature	-30°C to 60°C
	Operating Humidity	10% to 80%
	Storage Humidity	5% to 95%
Computer	Media Formats	Video (MPG, AVI, MP4, RM, RMVB, TS), Audio (MP3, WMA), Image (JPG, GIF, BMP, PNG)
	Media Resolution	1920x1080/1080x1920
	CPU	Quad-Core ARM Cortex A17, 1.6GHz
	GPU	Quad-Core ARM Mali-T764
	RAM	DDR3 2GB
	Internal Storage	8GB eMMC
	USB	1 x USB (OTG/HOST), 1 x USB (HOST)
	LAN	100M/1000M Ethernet (Network Version Only)
	Wi-Fi	802.11b/g/n/ac (Network Version Only)
	OS	Android 7.1
	Graphic Engine	OpenGL ES 1.1/2.0/3.0/3.1, OpenCL 1.1, Renderscript, Direct3D 11.1
Accessories	Included	Scheduling Software, Remote Control, User Manual
	Optional	Network Upgrade, Wall Mount, Floor Stand/Trolley, Ceiling Mount, Table Stand
Warranty	Warranty Period	3 Year Warranty
	Technical Support	Lifetime

Errors and omissions excepted



## Datenblatt: Window TFT 55 E

### Picture/Display

- Diagonal screen size: 54.6 inch / 138.7 cm
- Optimum resolution: 1920 x 1080 @ 60Hz
- Brightness: 2500 cd/m<sup>2</sup>
- Contrast ratio (typical): 4000 : 1
- Dynamic contrast ratio: 500,000 : 1
- Aspect ratio: 16:9
- Response time (typical): 8 ms
- Pixel pitch: 0.63 x 0.63 mm
- Display colors: 1.07 B
- Viewing angle (H / V): 178 / 178 degree
- Panel resolution: 1920x1080p

### Connectivity

- Video input: Composite (Share component Y), Display Port 1.2 (x1), DVI-D (x1), HDMI 1.4 (x2), VGA (Analog D-Sub) (x1), Component (BNC x3)
- Video output: DisplayPort 1.2 (x1), DVI-I (x1)
- Audio input: 3.5 mm jack, Audio Left/Right (RCA)
- Audio output: 3.5mm jack, External speaker connector
- External control: RS232C (in/out) 2.5 mm jack, RJ45, IR (in/out) 3.5 mm jack
- Other connections: OPS, USB 2.0 (x1)

### Dimensions

- Bezel width: 13.6 mm (Even bezel)
- Set dimensions (W x H x D): 1243.2 x 714 x 137.7 mm
- Set dimensions in inch (W x H x D): 48.9 x 28.1 x 5.42 inch
- Wall Mount: 400 x 400 mm, M6
- Product weight: 31.84 kg
- Product weight (lb): 70.20 lb
- Smart insert height: 200 mm
- Smart Insert mount: 100mm x 100mm pitch, 6xM4L6

### Convenience

- Placement: Landscape, Portrait
- Network controllable: RS232, RJ45
- Signal loop through: RS232, IR Loopthrough, DisplayPort, IR, RJ45
- Energy saving functions: Smart Power
- Remote control signal: Lockable
- Keyboard control: Hidden, Lockable
- Ease of installation: Carrying Handles, Smart Insert

- Other convenience: Carrying handles
- Screen saving functions: Pixel Shift, Low Brightness
- Picture performance: Advanced color control

### Power

- Mains power: 100 ~ 240 VAC, 50 ~ 60 Hz
- Consumption (Typical): 295 W
- Standby power consumption: <0.5W
- Consumption (Max): 420 W

### Sound

- Built-in speakers: 2 x 10W RMS

### Operating conditions

- Temperature range (operation): 0 ~ 40 °C
- Temperature range (storage): -20 ~ 60 °C
- MTBF: 50,000 hour(s)
- Altitude: 0 ~ 3000 m
- Humidity range (operation)[RH]: 20 ~ 80% RH (No condensation)
- Humidity range (storage) [RH]: 5 ~ 95% RH (No condensation)

### Accessories

- Included accessories: AC Power Cord, Quick start guide, RS232 cable, Remote Control & AAA Batteries
- Included Accessories: RS232 daisy-chain cable, Edge Alignment Kit (1) -1 pcs, Edge Alignment Kit (2) - 2 pcs, Philips logo (x1), Thumbscrew (8pcs)

### Miscellaneous

- On-Screen Display Languages: English, French, German, Italian, Polish, Russian, Spanish, Turkish, Simplified Chinese, Traditional Chinese, Arabic, Japanese, Portuguese
- Regulatory approvals: CB, CE, UL/cUL, EAC, EMF, FCC, Class A, PSB, PSE, VCCI
- Warranty: 3 year warranty

### Multimedia Applications

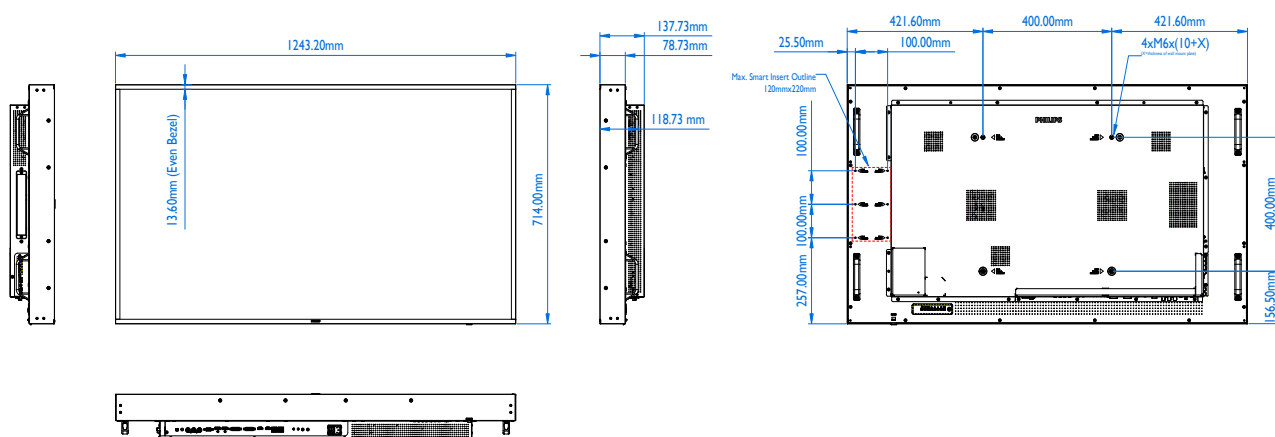
- USB Playback Audio: AAC, AIF, AIFF, ASF, M3U, M4A, MP3, MP4, PLS, WAV, WMA
- USB Playback Picture: BMP, GIF, JPEG, JPG, PNG
- USB Playback Video: ISM, M2TS, M4V, Manifest, MK3D, MKV, MP4, MPD, MPEG, MPG, MT2, MTS, TS, VOB

### Supported Display Resolution

• Computer formats	
Resolution	Refresh rate
1024 x 768	60, 75Hz
1280 x 1024	60Hz
1280 x 768	60Hz
1280 x 800	60Hz
1280 x 960	60Hz
1360 x 768	60Hz
1366 x 768	60Hz
1600 x 1200	60Hz
1920 x 1080	60Hz
640 x 480	60, 72, 75Hz
720 x 400	70Hz
800 x 600	60, 75Hz

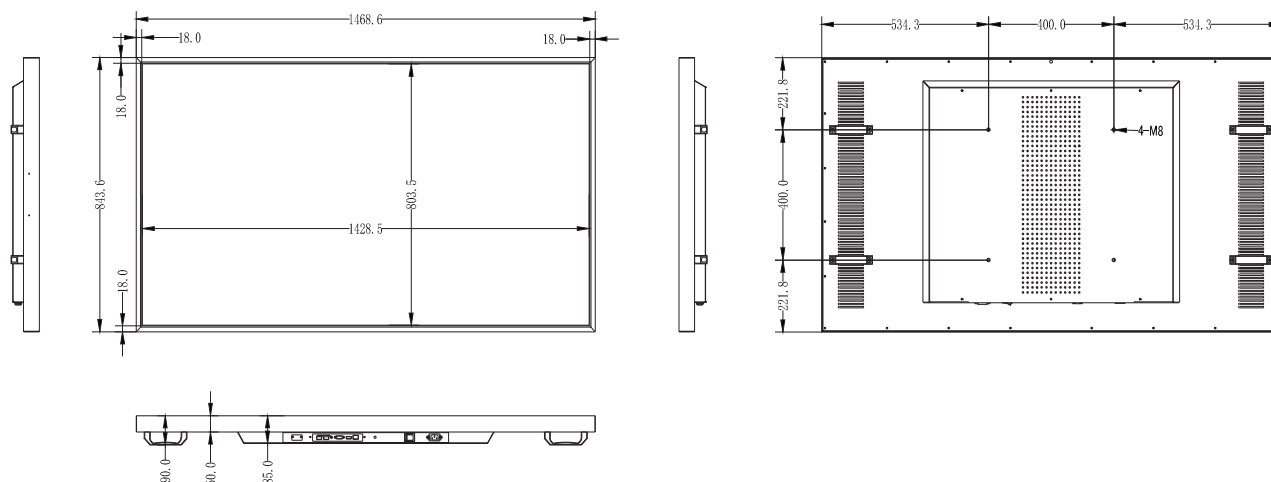
• Video formats	
Resolution	Refresh rate
1080i	25, 30Hz
1080p	50, 60Hz
720p	50, 60Hz



## Datenblatt: Window TFT 65 3500

		65 Inch
Panel	Resolution	3840x2160
	Bezel Size (mm)	18
	Display Area (mm)	1428.5x803.5
	Aspect Ratio	16:9
	Brightness (cd/m <sup>2</sup> )	3,500
	Colour	16.7M
	Viewing Angle	178°
	Contrast Ratio	1,000:1
	Blackening Defect Free	Up to 110°C (230°F)
AV Inputs	Video	HDMI, VGA
	Audio	Audio Socket (3.5mm)
Power	Average Power Consumption (W) At Maximum Brightness	554
	Input Voltage	AC110~240V (50Hz~60Hz) (Manual switching necessary)
Mechanical	Unit Size (WxHxD mm)	1468.6x843.6x85
	Package Size (WxHxD mm)	1630x1010x220
	VESA Holes (mm)	400x400
	No. of Handles	4
	Net Weight (kg)	37.7
	Gross Weight (kg)	45.6
Environmental	Surface Panel Temperature	Up to 110°C (230°F)
	Operating Temperature	0°C to 50°C
	Storage Temperature	-30°C to 60°C
	Operating Humidity	10% to 80%
	Storage Humidity	5% to 95%
Computer	Media Formats	Video (MPG, AVI, MP4, RM, RMVB, TS), Audio (MP3, WMA), Image (JPG, GIF, BMP, PNG)
	Media Resolution	1920x1080/1080x1920
	CPU	Quad-Core ARM Cortex A17, 1.6GHz
	GPU	Quad-Core ARM Mali-T764
	RAM	DDR3 2GB
	Internal Storage	8GB eMMC
	USB	1 x USB (OTG/HOST), 1 x USB (HOST)
	LAN	100M/1000M Ethernet (Network Version Only)
	Wi-Fi	802.11b/g/n/ac (Network Version Only)
	OS	Android 7.1
	Graphic Engine	OpenGL ES 1.1/2.0/3.0/3.1, OpenCL 1.1, Renderscript, Direct3D 11.1
Accessories	Included	Scheduling Software, Remote Control, User Manual
	Optional	Network Upgrade, Wall Mount, Floor Stand/Trolley, Ceiling Mount, Table Stand
Warranty	Warranty Period	3 Year Warranty
	Technical Support	Lifetime

Errors and omissions excepted



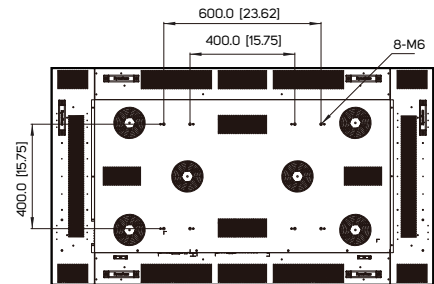
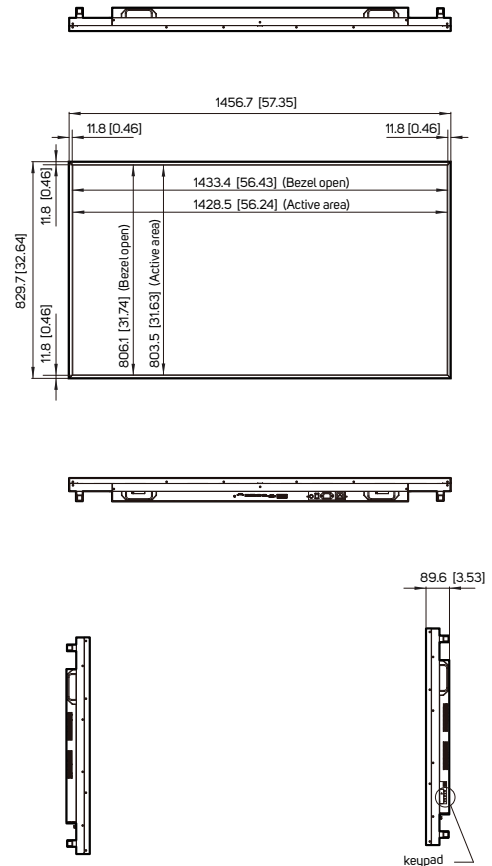
## Datenblatt: Window TFT 65 E

### SPECIFICATION

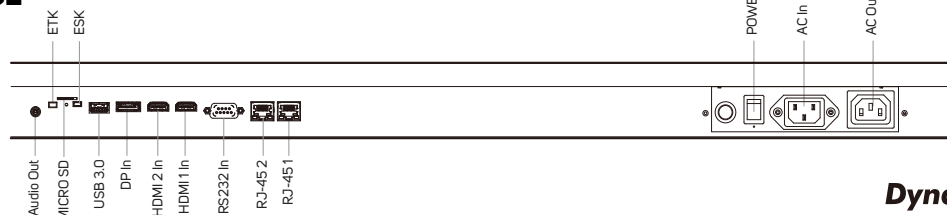
<b>MODEL</b>	DS653LT5
<b>PANEL</b>	LCD Panel Size 65" Native Resolution 1920 x 1080 Brightness 4000 nits Color Depth 10 bits Contrast Ratio 4000:1 Response Time (Typ.) 8 ms (Typ.) Viewing Angle 178° / 178° Light Lifetime (Typ.) 100,000 hrs Blackening Defect Free Up to 110°C (230°F) Polarized Sunglasses Support Yes
<b>POWER</b>	Power Supply Internal Rated Voltage 100-240V ~ 50/60HZ Power Consumption (Typ. /Max.) 255 W / 550 W Power Saving Mode < 1W AC Out < 100 W
<b>MECHANICAL SPECS</b>	Bezel Width (T/B/L/R) 11.8 / 11.8 / 11.8 / 11.8 mm Cabinet Color Black Monitor Dimension (LxHxD) 1456.7 x 829.7 x 89.6 mm Monitor Weight 39.1 kg Orientation Portrait / Landscape VESA Mounting (LxH) 400 x 400 mm, 600 x 400 mm Carrying Handles Yes
<b>FEATURE</b>	Language English Support SNMP (Up to V3.0) Yes Image Retention Protection Yes Auto Orientation Sensor Yes Ambient Light Sensor Yes Power On/Off Scheduling Yes OSD Menu Rotation Yes
<b>INPUT</b>	HDMI 2.1 (HDCP 2.3) x2 (1080p recommended) DisplayPort x1 USB 3.0 x1 Micro SD Slot x1
<b>OUTPUT</b>	Audio x1
<b>EXTERNAL CONTROL</b>	RS-232 In x1 RJ-45 x2 (LAN) ETK Port ( Thermal) x1 ESK Port (IR, Ambient) x1
<b>ENVIRONMENT</b>	Operating Temperature 0° ~ 45° C Storage Temperature -20° ~ 60° C Humidity 10% ~ 80% RH Non-condensing
<b>INTERNAL PLAYER</b>	Operating System Android 8.0.0 Processor Dual-core A73 and dual-core A53 Clock Speed 1.5GHz Main Memory Interface DDR4, 2G Graphics Quad-core MaliG51 Storage Internal: 16GB eMMC Flash External: Support Micro SD, Up to 32GB(exFAT) /128GB(FAT32) Multimedia 4K 10bits VP9/H265/H264 video decoders, up to 60fps 1080P other video decoders (VC-1, MPEG-1/2/4, VP8) Wireless Function YES
<b>ACCESSORY</b>	Quick Start Guide, Power Cord, Remote Control, Batteries, IR & Ambient Sensor
<b>CERTIFICATION</b>	CE / CB / FCC / ETL / RoHS / PSE / VCCI

### DIMENSIONS

Unit: mm [inch]



### INTERFACE

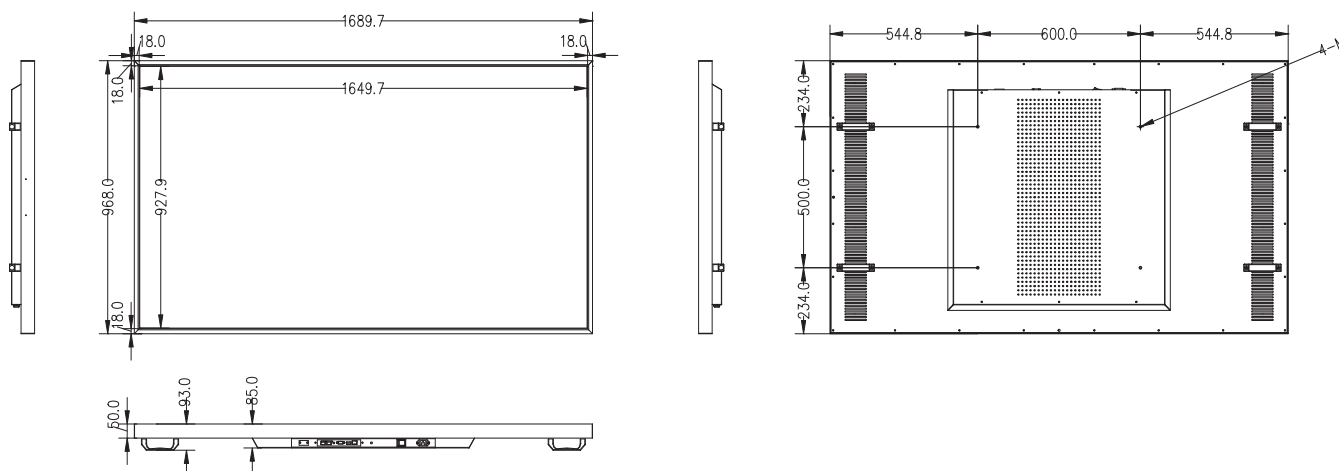


**DynaScan**



## Datenblatt: Window TFT 75 3500

		75 Inch
Panel	Resolution	3840x2160
	Bezel Size (mm)	18
	Display Area (mm)	1649.7x927.9
	Aspect Ratio	16:9
	Brightness (cd/m <sup>2</sup> )	3,500
	Colour	16.7M
	Viewing Angle	178°
	Contrast Ratio	1,100:1
	Blackening Defect Free	Up to 110°C (230°F)
AV Inputs	Video	HDMI, VGA
	Audio	Audio Socket (3.5mm)
Power	Average Power Consumption (W) At Maximum Brightness	580
	Input Voltage	AC110~240V (50Hz~60Hz) (Manual switching necessary)
Mechanical	Unit Size (WxHxD mm)	1689.7x968x85
	Package Size (WxHxD mm)	1830x1120x246
	VESA Holes (mm)	600x500
	No. of Handles	4
	Net Weight (kg)	48.5
	Gross Weight (kg)	63.3
Environmental	Surface Panel Temperature	Up to 110°C (230°F)
	Operating Temperature	0°C to 50°C
	Storage Temperature	-30°C to 60°C
	Operating Humidity	10% to 80%
	Storage Humidity	5% to 95%
Computer	Media Formats	Video (MPG, AVI, MP4, RM, RMVB, TS), Audio (MP3, WMA), Image (JPG, GIF, BMP, PNG)
	Media Resolution	1920x1080/1080x1920
	CPU	Quad-Core ARM Cortex A17, 1.6GHz
	GPU	Quad-Core ARM Mali-T764
	RAM	DDR3 2GB
	Internal Storage	8GB eMMC
	USB	1 x USB (OTG/HOST), 1 x USB (HOST)
	LAN	100M/1000M Ethernet (Network Version Only)
	Wi-Fi	802.11b/g/n/ac (Network Version Only)
	OS	Android 7.1
Accessories	Graphic Engine	OpenGL ES 1.1/2.0/3.0/3.1, OpenCL 1.1, Renderscript, Direct3D 11.1
	Included	Scheduling Software, Remote Control, User Manual
Warranty	Optional	Network Upgrade, Wall Mount, Floor Stand/Trolley, Ceiling Mount, Table Stand
	Warranty Period	3 Year Warranty
Errors and omissions excepted	Technical Support	Lifetime



## Datenblatt: Window TFT 75 E

### Picture/Display

- Diagonal screen size: 74.5 inch / 189.3 cm
- Panel technology: IPS
- Optimum resolution: 3840 x 2160 @ 60Hz
- Brightness: 3000 cd/m<sup>2</sup>
- Contrast ratio (typical): 1200:1
- Dynamic contrast ratio: 500,000:1
- Aspect ratio: 16:9
- Response time (typical): 8 ms
- Pixel pitch: 0.429 x 0.429 mm
- Display colors: 1.07 Billion
- Viewing angle (H / V): 89 / 89 degree
- Picture enhancement: 3/2 - 2/2 motion pull down, 3D Combfilter, 3D MA deinterlacing, Dynamic contrast enhancement, Motion compens. deinterlacing, Progressive scan
- Panel resolution: 3840 x 2160

### Connectivity

- Video input: VGA (Analog D-Sub), DisplayPort (1.2), DVI-D, Component (RCA), Composite (RCA), HDMI (x2)
- Video output: DisplayPort, DVI-I, VGA (Analog D-Sub)
- Audio input: 3.5 mm jack, Audio Left/Right (RCA)
- Audio output: 3.5mm jack, External speaker connector
- External control: RS232C (in/out) 2.5 mm jack, RJ45, IR (in/out) 3.5 mm jack
- Other connections: AC-out, OPS, USB

### Dimensions

- Bezel width: 15.3 mm
- Set dimensions (W x H x D): 1681.2 x 955.6 x 142.4 mm
- Set dimensions in inch (W x H x D): 66.19 x 37.62 x 5.61 inch
- VESA Mount: 600 x 400 mm, M8
- Product weight: 54.1 kg
- Product weight (lb): 119.27 lb
- Smart insert height: 300 mm
- Smart insert width: 136 mm

### Convenience

- Placement: Landscape (24/7), Portrait (24/7)
- Network controllable: RS232, HDMI (One Wire), LAN (RJ45)
- Signal Loop Through: RS232, DisplayPort, IR

### Loophrough

- Energy saving functions: Smart Power
- Remote control signal: Lockable
- Keyboard control: Hidden, Lockable
- Ease of installation: Smart Insert
- Other convenience: Carrying handles
- Screen saving functions: Pixel Shift, Low Brightness
- Picture in picture: PIP
- Picture performance: Advanced color control

### Power

- Mains power: 100 ~ 240 VAC, 50 ~ 60 Hz
- Consumption (Typical): 200 W
- Standby power consumption: <0.5W

### Sound

- Built-in speakers: 2 x 10W RMS

### Operating conditions

- Temperature range (operation): 5 ~ 40 °C
- Temperature range (storage): -20 ~ 60 °C
- Relative humidity: 20 ~ 80 %
- MTBF: 50,000 hour(s)
- Altitude: 0 ~ 3000 m

### Accessories

- Included accessories: AC Power Cord, Batteries for remote control, Remote Control, User manual on CD-ROM, RS232 cable, HDMI cable, IR sensor cable (1.8M), Quick start guide, VGA cable
- Optional accessories: IR Light Motion Sensor (CRD41)
- Included Accessories: RS232 daisy-chain cable

### Miscellaneous

- On-Screen Display Languages: English, French, German, Italian, Polish, Russian, Spanish, Turkish, Simplified Chinese, Traditional Chinese, Arabic, Japanese, Portuguese
- Regulatory approvals: CE, BSMI, CB, FCC, Class B
- Warranty: 3 year warranty

### Multimedia Applications

- USB Playback Audio: AAC, AIF, AIFF, ASF, LPCM, M3U, M4A, MP3, MP4, WAV, WMA, PLS
- USB Playback Picture: BMP, GIF, JPEG, PNG
- USB Playback Video: M2TS, M4V, MK3D, MKV, MP4, MPEG, MPG, MTS, TS, TTS, VOB, WMV

### Supported Display Resolution

#### • Computer formats

Resolution	Refresh rate
1024 x 768	60Hz
1280 x 1024	60Hz
1280 x 768	60Hz
1280 x 800	60Hz
1360 x 768	60Hz
1600 x 1200	60Hz
1920 x 1080	60Hz
1920 x 1200	60Hz
3840 x 2160	30Hz
3840 x 2160	60Hz
640 x 480	60, 67, 72, 75Hz
720 x 400	70Hz
800 x 600	60, 72, 75Hz

#### • Video formats

Resolution	Refresh rate
1080i	25, 30Hz
1080p	50, 60Hz
3840 x 2160	30Hz
3840 x 2160	60Hz
480i	30, 60Hz
480p	60Hz
576i	25, 50Hz
576p	50Hz
720p	50, 60Hz

