

## Datenblatt: Multitouch-Monitore 27“- 98“

### Darf es ein bisschen dynamischer sein?

Mit unseren professionellen Touchscreen-Monitoren bringen Sie Dynamik in Ihre Zielgruppenansprache: Die ebenso flexiblen wie bedienungsfreundlichen Arbeitstools ziehen Ihr Publikum in ihren Bann und lenken dessen volle Aufmerksamkeit auf Ihre Inhalte – und das an nahezu jedem Einsatzort.

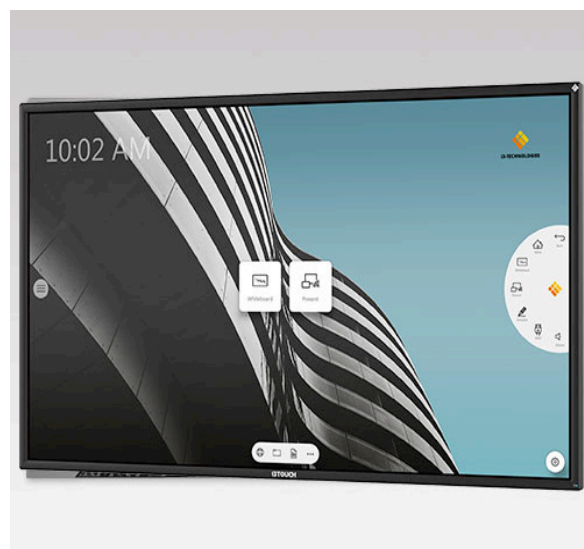
Schließlich sind die visuell ansprechenden Geräte in verschiedenen Ausführungen erhältlich und daher vielseitig einsetzbar.

Ob im Konferenzraum, im Büro, in der Empfangshalle oder am Point of Sale, mithilfe der digitalen Multitalente können Sie Informationen fast überall abwechslungsreich und effektiv vermitteln.

Ganz gleich, welcher Einsatzort mit einem Touchscreen-Monitor bestückt werden soll, wir halten das passende Modell für Sie bereit. Von der Standardvariante, bei der Sie nur den Touch-Sensor per USB an Ihren PC anschließen müssen, bis hin zur Lösung mit integriertem Android-Betriebssystem und enthaltener Lernsoftware bieten wir eine Vielzahl von Produkten an.

### Features:

- Größen von 27“ bis 98“
- Robuste Ausführung „Education“-erprobt
- Mindestens 10-Punkte-Touch
- Optional: PC als Einschubrechner - „verschwindet“ im Gehäuse



Erhältlich sind unter anderem Modelle, die sich für den 24/7-Betrieb eignen und damit rund um die Uhr eingesetzt werden können.

Da es sich bei unseren Geräten entweder um Full-HD- oder 4K-Monitore handelt, warten sie stets mit einer hervorragenden Bildqualität, satten Farben und gestochen scharfen Bildern auf.

Wählen können Sie außerdem zwischen den Touch-Technologien Infrarot und Projected Capacitive Touch (PCAP) sowie zwischen 10-, 12-, 20- und 50-Touchpunkten

## Datenblatt: Multitouch-Monitore 27"

### 01 DISPLAY EIGENSCHAFTEN

Design	Open Frame
Bild diagonale	27", 68.6cm
Panel-Technologie	IPS LED
Physikalische Auflösung	1920 x 1080 (2.1 megapixel Full HD)
Bildformat	16:9
Helligkeit	500 cd/m <sup>2</sup>
Helligkeit	425 cd/m <sup>2</sup> mit Touch Panel
Lichtdurchlässigkeit	85%
Kontrastverhältnis	1000:1
Erweitertes Kontrast Verhältnis	12M:1
Reaktionszeit (GTG)	5ms
Blickwinkel	horizontal/vertikal: 178°/178°, rechts/links: 89°/89°, nach oben/unten: 89°/89°
Farbunterstützung	16.7mln
Horizontalfrequenz	30 - 80kHz
Arbeitsfläche H x B	597.6 x 336.2mm, 23.5 x 13.2"
Rahmenbreite (Seiten, oben, unten)	24.5mm, 24mm, 24mm
Pixelabstand	0.311mm
Gehäusefarbe/art	schwarz, matt

### 02 TOUCH

Touchscreen Technologie	Projectiv kapazitiv
Touchpunkte	10 (HID, nur wenn das Betriebssystem das unterstützt)
Touch-Methode	Stift, Finger, Handschuh (latex)
Touch-Oberfläche	USB
Unterstützte Betriebssysteme	Alle iiyama Monitore sind Plug & Play kompatibel mit Windows und Linux. Details zum unterstützten Betriebssystem für die Touch-Modelle finden Sie im Produkthandbuch im Downloadbereich.

### 03 SCHNITTSTELLEN & ANSCHLÜSSE

Digital Video Eingang	DVI x1 HDMI x1 DisplayPort x1
Audio Ausgang	Lautsprecher 2 x 3W
HDCP	ja

### 04 FEATURES

Max. Betriebszeit	16/7
Glasstärke	3.6mm
Glas Härtegrad	6H
60950 Ball Drop Test	ja
Wasser- und Staubschutz	IP1X (frontseitig)
OSD-Tastensperre	ja

### 05 ALLGEMEIN

## Datenblatt: Multitouch-Monitore 27“

OSD Menu Sprachen	EN, DE, FR, CN, RU, JP, NL, PL
Bedientasten	Menü-Taste, Oben/Audio-Taste, Unten/i-Style colour, Auswahl/Eingangsauswahl, Ein-/Aus-Taste
Einstellbare Parameter	Bildeinstellung (Kontrast, Helligkeit, Erw. Kontrast, ECO Modus, OD) signal Eingangswahl, Audio (Lautstärke, Stummschaltung, Audio Eingang) Farbinstellungen (Kalt, Normal, Warm, Benutzereinstellung, i-Style Color) Informationen, Manuelle Bildanpassung (Schärfe, Video Mode Anpassungen, Blauton Reduzierung, X-Res Technologie) Menü Einstellungen (Sprache, OSD Position, OSD Einblendzeit, OSD Hintergrund, Start logo, LED) Zurücksetzen
Blaulicht Reduktion	ja
Plug&Play	DDC2B

### 06 MECHANISCH

Ausrichtung	Querformat, Hochformat, Face-up
Lüfterloses Design	ja
VESA Halterung	100 x 100mm, 200 x 100mm

### 07 ENTHALTENES ZUBEHÖR

Kabel	Netz, USB, HDMI, mDP - DP, DP
Anleitungen	Leitfaden zur Inbetriebnahme, Sicherheits-Hinweise
Kabelabdeckung	ja

### 08 STROMVERWALTUNG

Netzteil	intern
Stromversorgung	AC AC - 100V, 240V, 50Hz
Leistungsaufnahme	25W typisch, 1.5W Standby, 0.3W ausgeschaltet

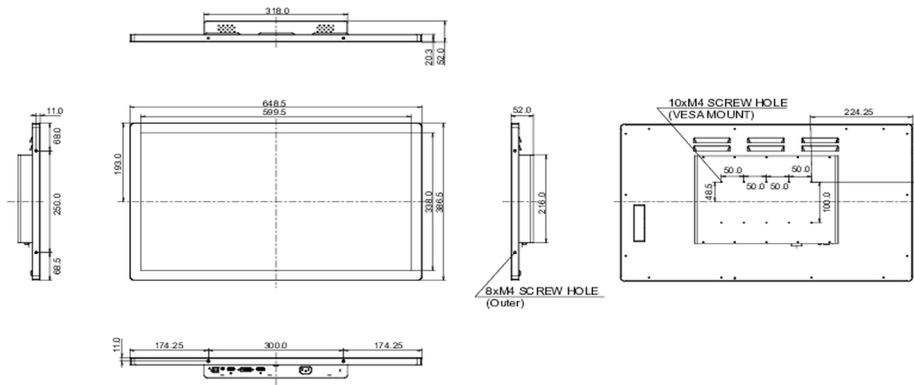
### 09 LEISTUNG

Vorschriften	CE, TÜV-Bauart, EAC, RoHS support, ErP, WEEE, REACH, UKCA
Energieeffizienzklasse (Regulation (EU) 2017/1369)	F
Sonstiges	REACH SVHC über 0.1% Blei enthalten

### 10 ABMESSUNGEN / GEWICHT

Produkt Abmessungen B x H x T	648.5 x 386.5 x 52mm
Verpackung Abmessungen B x H x T	746 x 500 x 123mm
Gewicht (ohne Verpackung)	8.3kg
Gewicht (inkl Verpackung)	9.4kg
EAN code	4948570118199

## Datenblatt: Multitouch-Monitore 27"



## Datenblatt: Multitouch-Monitore 32"

### Specifications

#### Picture/Display

- Diagonal screen size: 32 inch / 80 cm
- Panel resolution: 1920x1080p
- Optimum resolution: 1920 x 1080 @ 60 Hz
- Brightness: 350 cd/m<sup>2</sup>
- Contrast ratio (typical): 4000:1
- Surface treatment: Anti-Glare coating
- Aspect ratio: 16:9
- Response time (typical): 6.5 ms
- Pixel pitch: 0.36375(H)X0.36375(V) mm
- Display colors: 16.7 M
- Viewing angle (H / V): 178 / 178 degree
- Panel technology: VA
- Operating system: Android 8.0
- Picture enhancement: 3/2 - 2/2 motion pull down, 3D Combfilter, 3D MA deinterlacing, Dynamic contrast enhancement, Motion compens. deinterlacing, Progressive scan

#### Interactivity

- Multi-touch technology: Projected capacitive
- Touch points: 10 simultaneous touch points
- Plug and play: HID compliant
- Protection glass: 2 mm tempered safety glass

#### Connectivity

- Video input: DVI-I (x 1), HDMI 2.0 (x2), USB 2.0 Type A (x2), USB 2.0 Type B (x1), VGA (via DVI-I) x1
- Audio input: 3.5 mm jack
- Audio output: 3.5mm jack
- External control: RJ45, IR (in/out) 3.5 mm jack, RS232C (in/out) 2.5 mm jack
- Other connections: micro SD

#### Supported Display Resolution

##### • Computer formats

Resolution	Refresh rate
640 x 480	60, 67, 72, 75Hz
800 x 600	56, 60, 72, 75Hz
1024 x 768	60Hz
1280 x 768	60Hz
1280 x 800	60Hz
1280 x 1024	60Hz
1360 x 768	60Hz
1366 x 768	60Hz
1440 x 900	60Hz
1600 x 1200	60Hz
1920 x 1080	60Hz
1920 x 1200	60Hz
720 x 400	70Hz
800 x 600	60, 72, 75Hz
3840 x 2160	60 Hz, 50 Hz

##### • Video formats

Resolution	Refresh rate
480i	60Hz
480p	60Hz
576p	50Hz
576i	50Hz
720p	50, 60Hz
1080i	50, 60Hz
1080p	50, 60Hz
1080i	25, 30Hz
480i	30, 60Hz

576i	25, 50Hz
3840 x 2160	24, 25Hz
3840 x 2160	30Hz

#### Convenience

- Placement: Landscape (18/7), Portrait (18/7)
- Signal loop through: IR Loophrough, RS232
- Network controllable: RS232, RJ45
- Screen saving functions: Pixel Shift, Low Brightness
- Keyboard control: Hidden, Lockable
- Remote control signal: Lockable
- Energy saving functions: Smart Power

#### Dimensions

- Set dimensions (W x H x D): 749.1 x 443.6 x 70.4(D@Wall mount)/ 74.4(D@AC) mm
- Set dimensions in inch (W x H x D): 29.49 x 17.46 x 2.77D@Wall mount)/ 2.93(D@AC) inch
- Product weight: 8.0 kg
- Product weight (lb): 17.64 lb
- VESA Mount: 100mm x 100mm, 200mm x 200mm, M4
- Bezel width: 2.0 mm (T/R/L/B)

#### Sound

- Built-in speakers: 2 x 10W

#### Operating conditions

- Temperature range (operation): 0 ~ 40 °C
- MTBF: 50,000 hour(s)
- Altitude: 0 ~ 3000 m
- Temperature range (storage): -20~60 °C
- Humidity range (operation)[RH]: 20 ~ 80% (without condensation)
- Humidity range (storage) [RH]: 5 ~ 95% (without condensation)

#### Power

- Mains power: 100 ~ 240 VAC, 50/60Hz
- Standby power consumption: <0.5W
- Consumption (Typical): 50 W
- Power Saving Features: Smart Power
- Consumption (Max): 80 W
- Energy Label Class: G

#### Accessories

- Stand: BM05922 (Optional)
- Included Accessories: Cleaning cloth (x1), IR sensor cable (1.8 m) (x1), Philips logo (x1), Power supply cable (3 m), Quick start guide (x1), Remote control & AAA batteries, RS232 cable (3 m) (x1), RS232 daisy chain cable (x1), USB Cover and screw x1

#### Miscellaneous

- On-Screen Display Languages: Arabic, English, French, German, Italian, Japanese, Polish, Spanish, Turkish, Russian, Simplified Chinese, Traditional Chinese, Danish, Dutch, Finnish, Norwegian, Portuguese, Swedish
- Regulatory approvals: CB, CE, FCC, Class A,

- RoHS, BSMI, CU, ETL, IMDA, PSB
- Warranty: 3 year warranty

#### Multimedia Applications

- USB Playback Picture: BMP, GIF, JPEG, JPG, PDF
- USB Playback Audio: AAC, AIF, AIFF, ASF, LPCM, M3U, M4A, MP3, MP4, WAV, WMA
- USB Playback Video: M2TS, M4V, MK3D, MKV, MP4, MPEG, MPG, MTS, TS, TTS, VOB, WMV

#### Internal Player

- CPU: 2 x A53 + 2 x A73
- Memory: 2GB DDR3, 8GB
- GPU: ARM Mali G51
- Wifi: 2.4 G, 5 G

## Datenblatt: Multitouch-Monitore 43“

### Specifications

#### Picture/Display

- Diagonal screen size: 43 inch / 108.0 cm
- Panel resolution: 3840 x 2160
- Optimum resolution: 3840 x 2160 @ 60 Hz
- Brightness: 400 cd/m<sup>2</sup>
- Contrast ratio (typical): 1200:1
- Surface treatment: Anti-Glare coating
- Aspect ratio: 16:9
- Response time (typical): 8 ms
- Pixel pitch: 0.2451(H) x 0.2451(V) mm
- Display colors: 1.07 B
- Viewing angle (H / V): 178 / 178 degree
- Picture enhancement: 3/2 - 2/2 motion pull down, 3D Combfilter, Motion compens. deinterlacing, Progressive scan, 3D MA deinterlacing, Dynamic contrast enhancement
- Panel technology: IPS
- Operating system: Android 8.0

#### Interactivity

- Multi-touch technology: Projected capacitive
- Touch points: 20 simultaneous touch points
- Plug and play: HID compliant
- Protection glass: 3 mm tempered safety glass

#### Connectivity

- Video input: DVI-D (x1), HDMI 2.0 (x2), USB 2.0 Type A (x2), USB 2.0 Type B (x1), VGA (Analog D-Sub) (x1)
- Audio input: 3.5 mm jack
- Audio output: 3.5mm jack
- External control: RJ45, IR (in/out) 3.5 mm jack, RS232C (in/out) 2.5 mm jack
- Other connections: micro SD, OPS

#### Supported Display Resolution

##### • Computer formats

Resolution	Refresh rate
640 x 480	60, 67, 72, 75Hz
800 x 600	56, 60, 72, 75Hz
1024 x 768	60Hz
1280 x 768	60Hz
1280 x 800	60Hz
1280 x 1024	60Hz
1360 x 768	60Hz
1366 x 768	60Hz
1440 x 900	60Hz
1600 x 1200	60Hz
1920 x 1080	60Hz
1920 x 1200	60Hz
3840 x 2160	60 Hz, 50 Hz
720 x 400	70Hz
800 x 600	60, 72, 75Hz

##### • Video formats

Resolution	Refresh rate
480i	60Hz
480p	60Hz
576p	50Hz
576i	50Hz
720p	50, 60Hz
1080i	50, 60Hz
1080p	50, 60Hz
1080i	25, 30Hz
3840 x 2160	24, 25Hz

3840 x 2160	30Hz
480i	30, 60Hz
576i	25, 50Hz

#### Convenience

- Placement: Landscape (18/7), Portrait (18/7)
- Signal loop through: RS232, IR Loopthrough
- Network controllable: RS232, RJ45
- Screen saving functions: Pixel Shift, Low Brightness
- Keyboard control: Hidden, Lockable
- Remote control signal: Lockable
- Energy saving functions: Smart Power

#### Dimensions

- Set dimensions (W x H x D): 1004.4 x 592.6 x 75.3(D@Wall mount)/ 109.2(D@External OPS box) mm
- Set dimensions in inch (W x H x D): 39.54 x 23.33 x 2.96(D@Wall mount)/ 4.30(D@External OPS box) inch
- Product weight: 18.54 kg
- Product weight (lb): 40.87 lb
- Bezel width: 16.3 mm(T/R/L/B)
- VESA Mount: 200 x 200 mm, M6

#### Sound

- Built-in speakers: 2 x 10W

#### Operating conditions

- Temperature range (operation): 0 ~ 40 °C
- MTBF: 50,000 hour(s)
- Altitude: 0 ~ 3000 m
- Temperature range (storage): -20 ~ 60 °C
- Humidity range (operation)[RH]: 20 ~ 80% (without condensation)
- Humidity range (storage) [RH]: 5 ~ 95% (without condensation)

#### Power

- Mains power: 100 ~ 240 VAC, 50/60Hz
- Standby power consumption: <0.5W
- Consumption (Typical): 100 W
- Power Saving Features: Smart Power
- Consumption (Max): 220 W
- Energy Label Class: G

#### Accessories

- Stand: BM05922 (Optional)
- Included Accessories: Cleaning cloth (x1), IR sensor cable (1.8 m) (x1), Philips logo (x1), Power supply cable (3 m), Quick start guide (x1), Remote control & AAA batteries, RS232 cable (3 m) (x1), RS232 daisy chain cable (x1), USB Cover and screw x1

#### Miscellaneous

- On-Screen Display Languages: Arabic, English, French, German, Italian, Japanese, Polish, Spanish, Turkish, Russian, Simplified Chinese, Traditional Chinese, Danish, Dutch, Finnish, Norwegian, Portuguese, Swedish
- Regulatory approvals: CE, RoHS, CB, BSMI, FCC, Class A, CU, ETL, IMDA, PSB
- Warranty: 3 year warranty

#### Multimedia Applications

- USB Playback Audio: AAC, AIF, AIFF, ASF, LPCM, M3U, M4A, MP3, MP4, WAV, WMA
- USB Playback Picture: BMP, GIF, JPEG, JPG, PDF
- USB Playback Video: M2TS, M4V, MK3D, MKV, MP4, MPEG, MPG, MTS, TS, TTS, VOB, WMV

#### Internal Player

- CPU: 2 x A53 + 2 x A73
- GPU: ARM Mali G51
- Memory: 2GB DDR3, 8GB
- Wifi: 2.4 G, 5 G

## Datenblatt: Multitouch-Monitore 55“

### Specifications

#### Picture/Display

- Diagonal screen size: 55 inch / 138.8 cm
- Panel resolution: 3840 x 2160
- Optimum resolution: 3840 x 2160 @ 60 Hz
- Brightness: 400 cd/m<sup>2</sup>
- Contrast ratio (typical): 1300:1
- Surface treatment: Anti-Glare coating
- Aspect ratio: 16:9
- Response time (typical): 8 ms
- Pixel pitch: 0.315(H)x0.315(V)mm
- Display colors: 1.07 B
- Viewing angle (H / V): 178 / 178 degree
- Picture enhancement: 3/2 - 2/2 motion pull down, 3D Combfilter, Motion compens. deinterlacing, Progressive scan, 3D MA deinterlacing, Dynamic contrast enhancement
- Panel technology: IPS
- Operating system: Android 8.0

#### Interactivity

- Multi-touch technology: Projected capacitive
- Touch points: 20 simultaneous touch points
- Plug and play: HID compliant
- Protection glass: 3 mm tempered safety glass

#### Connectivity

- Video input: DVI-D (x1), HDMI 2.0 (x2), USB 2.0 Type A (x2), USB 2.0 Type B (x1), VGA (Analog D-Sub) (x1)
- Audio input: 3.5 mm jack
- Audio output: 3.5mm jack
- External control: RJ45, IR (in/out) 3.5 mm jack, RS232C (in/out) 2.5 mm jack
- Other connections: micro SD, OPS

#### Supported Display Resolution

##### • Computer formats

Resolution	Refresh rate
640 x 480	60, 67, 72, 75Hz
800 x 600	56, 60, 72, 75Hz
1024 x 768	60Hz
1280 x 768	60Hz
1280 x 800	60Hz
1280 x 1024	60Hz
1360 x 768	60Hz
1366 x 768	60Hz
1440 x 900	60Hz
1600 x 1200	60Hz
1920 x 1080	60Hz
1920 x 1200	60Hz
720 x 400	70Hz
800 x 600	60, 72, 75Hz
3840 x 2160	60 Hz, 50 Hz

##### • Video formats

Resolution	Refresh rate
480i	60Hz
480p	60Hz
576p	50Hz
576i	50Hz
720p	50, 60Hz
1080i	50, 60Hz
1080p	50, 60Hz
1080i	25, 30Hz
480i	30, 60Hz

576i	25, 50Hz
3840 x 2160	24, 25Hz
3840 x 2160	30Hz

#### Convenience

- Placement: Landscape (18/7), Portrait (18/7)
- Signal loop through: IR Loophthrough, RS232
- Network controllable: RS232, RJ45
- Screen saving functions: Pixel Shift, Low Brightness
- Keyboard control: Hidden, Lockable
- Remote control signal: Lockable
- Energy saving functions: Smart Power

#### Dimensions

- Set dimensions (W x H x D): 1272.6 x 743.4 x 75.5(D@Wall mount)/ 81.7(D@OPS Cover) mm
- Set dimensions in inch (W x H x D): 50.10 x 29.27 x 2.97(D@Wall mount)/ 3.22(D@OPS Cover) inch
- Product weight: 27.0 kg
- Product weight (lb): 59.52 lb
- VESA Mount: 400 x 400 mm, M6
- Bezel width: 16.3 mm(T/R/L/B)

#### Sound

- Built-in speakers: 2 x 10W

#### Operating conditions

- Temperature range (operation): 0 ~ 40 °C
- MTBF: 50,000 hour(s)
- Altitude: 0 ~ 3000 m
- Temperature range (storage): -20~60 °C
- Humidity range (operation)[RH]: 20 ~ 80% (without condensation)
- Humidity range (storage) [RH]: 5 ~ 95% (without condensation)

#### Power

- Mains power: 100 ~ 240 VAC, 50/60Hz
- Standby power consumption: <0.5W
- Consumption (Typical): 140 W
- Power Saving Features: Smart Power
- Consumption (Max): 270 W
- Energy Label Class: G

#### Accessories

- Stand: BM05922 (Optional)
- Included Accessories: Cleaning cloth (x1), IR sensor cable (1.8 m) (x1), Philips logo (x1), Power supply cable (3 m), Quick start guide (x1), Remote control & AAA batteries, RS232 cable (3 m) (x1), RS232 daisy chain cable (x1), USB Cover and screw x1

#### Miscellaneous

- On-Screen Display Languages: Arabic, English, French, German, Italian, Japanese, Polish, Spanish, Turkish, Russian, Simplified Chinese, Traditional Chinese, Danish, Dutch, Finnish, Norwegian, Portuguese, Swedish
- Regulatory approvals: BSMI, CB, CE, FCC, Class A, RoHS, CU, ETL, IMDA, PSB
- Warranty: 3 year warranty

#### Multimedia Applications

- USB Playback Picture: BMP, GIF, JPEG, JPG, PDF
- USB Playback Audio: AAC, AIF, AIFF, ASF, LPCM, M3U, M4A, MP3, MP4, WAV, WMA
- USB Playback Video: M2TS, M4V, MK3D, MKV, MP4, MPEG, MPG, MTS, TS, TTS, VOB, WMV

#### Internal Player

- CPU: 2 x A53 + 2 x A73
- Memory: 2GB DDR3, 8GB
- GPU: ARM Mali G51
- Wifi: 2.4 G, 5 G

## Datenblatt: Multitouch-Monitore 65“

### Specifications

#### Picture/Display

- Diagonal screen size: 64.5 inch / 163.9 cm
- Panel resolution: 3840 x 2160
- Optimum resolution: 3840 x 2160 @ 60 Hz
- Brightness: 420 cd/m<sup>2</sup>
- Contrast ratio (typical): 1300:1
- Surface treatment: Anti-Glare coating
- Aspect ratio: 16:9
- Response time (typical): 9 ms
- Pixel pitch: 0.372 x 0.372 mm
- Display colors: 1.07 Billion
- Viewing angle (H / V): 178 / 178 degree
- Picture enhancement: 3/2 - 2/2 motion pull down, 3D Combfilter, Motion compens. deinterlacing, Progressive scan, 3D MA deinterlacing, Dynamic contrast enhancement
- Dynamic contrast ratio: 500,000:1
- Panel technology: IPS
- Operating system: Android 9

#### Interactivity

- Multi-touch technology: Advanced infrared touch
- Touch points: 20 simultaneous touch points
- Plug and play: HID compliant
- Protection glass: Tempered safety glass, Anti-Glare

#### Connectivity

- Video input: Display Port 1.2 (x1), DVI-I (x 1), HDMI 2.0 (x4), USB 2.0 (x2), USB 3.0 (x2), USB-C
- Audio input: 3.5mm Jack (x1)
- Audio output: 3.5mm Jack (x2)
- External control: RJ45, IR (in/out) 3.5 mm jack, RS232C (in/out) 2.5 mm jack
- Other connections: micro SD, OPS
- Video output: DisplayPort 1.2 (x1), DVI - D (x1), HDMI 2.0 (x1), USB 2.0 (x2)

#### Supported Display Resolution

##### • Computer formats

Resolution	Refresh rate
1024x768	60,70Hz
1152 x 864	60, 70, 75Hz
1152 x 900	66Hz
1280 x 720	60,70Hz
1280 x 768	60Hz, 75Hz
1280 x 800	60,75Hz
1280 x 960	60Hz
1280x1024	60,67,75Hz
1360 x 768	60Hz

1366 x 768	60Hz
1400 x 1050	60, 75Hz
1440 x 1050	60Hz
1440 x 900	60, 75Hz
1600 x 1200	60Hz
1600 x 900	60Hz
1680 x 1050	60Hz
1920 x 1080	60Hz
1920 x 1200	60Hz
3840 x 2160	24,25,30,60Hz
640 x 350	70Hz
640 x 480	60, 67, 72, 75Hz
800 x 600	56, 60, 72, 75Hz
832 x 624	75Hz
848 x 480	60Hz
960x720	75Hz
• Video formats	
Resolution	Refresh rate
1080i	50, 60Hz
1080p	50, 60Hz
480p	60Hz
4K x 2K	
576p	50Hz
720p	50, 60Hz
720p	60Hz

#### Convenience

- Placement: Landscape (18/7)
- Signal loop through: IR Loophrough, DisplayPort, RS232
- Network controllable: RS232, RJ45
- Picture performance: Advanced color control
- Screen saving functions: Pixel Shift, Low Brightness
- Keyboard control: Hidden, Lockable
- Remote control signal: Lockable
- Energy saving functions: Smart Power
- Other convenience: Carrying handles
- Ease of installation: Smart Insert

#### Dimensions

- Set dimensions (W x H x D): 1494.30 x 869.40 x 80.2mm(D@wall mount) / 106.8mm (D@speaker cover) mm
- Product weight: 43.6 kg
- VESA Mount: 400(H)x400(V), M8
- Bezel width: 16.30 mm(even)
- Product weight (lb): 96.12 lb
- Set dimensions in inch (W x H x D): 58.83 x 34.23 x 3.16(D@wall mount) / 4.20

- (D@speaker cover) inch
- Smart Insert mount: 100mm x 100mm, 6xM4L6

#### Sound

- Built-in speakers: 2 x 20W RMS

#### Operating conditions

- Temperature range (operation): 0 ~ 40 °C
- Relative humidity: 20 ~ 80%(Operational), 5 - 95%(Storage) %
- MTBF: 30,000 hour(s)
- Altitude: 0 ~ 3000 m
- Temperature range (storage): -20 ~ 60 °C

#### Power

- Mains power: 100 ~ 240 VAC, 50 ~ 60 Hz
- Standby power consumption: <0.5W
- Power Saving Features: Smart Power
- Consumption (Typical): 175 W
- Consumption (Max): 350 W
- Energy Label Class: G

#### Accessories

- Included accessories: AC Power Cord, RS232 cable, Remote Control, Batteries for remote control, Quick start guide, HDMI cable, IR sensor cable (1.8M)
- Included Accessories: RS232 daisy-chain cable, Cleaning cloth (x1), DVI-D cable (1.8m ), M2 Screw (x2), M3 screw (x2), Philips logo (x1), Touch Pen (x2), Touch USB (x1), USB Cover (x1)
- Optional accessories: Cast to dangle

#### Miscellaneous

- On-Screen Display Languages: Arabic, English, French, German, Italian, Japanese, Polish, Spanish, Turkish, Russian, Simplified Chinese, Traditional Chinese, Danish, Dutch, Finnish, Norwegian, Portuguese, Swedish
- Regulatory approvals: BSMI, CB, CE, EMF, ETL, FCC, Class A, PSB, RoHS, EAC
- Warranty: 3 year warranty

#### Multimedia Applications

- USB Playback Picture: BMP, JPEG, JPG, PNG
- USB Playback Audio: AAC, M4A, MP3, WMA
- USB Playback Video: ASF, AVI, DAT, FLV, MKV, MP4, MPEG, MPG, TS, VOB, WEBM, WMV

#### Internal Player

- CPU: MTK5680
- Storage: 32 GB eMMc
- Wifi: AP(WC0SR2511-88112BU), STA(WCT5GM2511MT7668AU)
- GPU: DDR4 4GB
- Memory: 4GB RAM



## Datenblatt: Multitouch-Monitore 75“

### Specifications

#### Picture/Display

- Diagonal screen size: 74.5 inch / 189.3 cm
- Panel resolution: 3840 x 2160
- Optimum resolution: 3840 x 2160 @ 60Hz
- Brightness: 420 cd/m<sup>2</sup>
- Contrast ratio (typical): 1200:1
- Dynamic contrast ratio: 500,000:1
- Surface treatment: Anti-Glare coating
- Aspect ratio: 16:9
- Response time (typical): 9 ms
- Pixel pitch: 0.4296 x 0.4296 mm
- Display colors: 1.07Billion
- Viewing angle (H / V): 178 / 178 degree
- Picture enhancement: 3/2 - 2/2 motion pull down, 3D Combfilter, Motion compens. deinterlacing, Progressive scan, 3D MA deinterlacing, Dynamic contrast enhancement
- Panel technology: IPS
- Operating system: Android 9

#### Interactivity

- Multi-touch technology: Advanced infrared touch
- Touch points: 20 simultaneous touch points
- Plug and play: HID compliant
- Protection glass: Anti-Glare, Tempered safety glass

#### Connectivity

- Video input: Display Port 1.2 (x1), DVI-I (x 1), HDMI 2.0 (x4), USB 2.0 (x2), USB 3.0 (x2), USB-C
- Audio input: 3.5mm Jack (x1)
- Audio output: 3.5mm Jack (x2)
- Other connections: OPS, micro SD
- External control: IR (in/out) 3.5 mm jack, RJ45, RS232C (in/out) 2.5 mm jack
- Video output: DisplayPort 1.2 (x1), DVI - D (x1), HDMI 2.0 (x1), USB 2.0 (x2)

#### Supported Display Resolution

Resolution	Refresh rate
1600 x 1200	60Hz
1360 x 768	60Hz
1024x768	60,70Hz
1152 x 864	60, 70, 75Hz
1152 x 900	66Hz
1280 x 720	60,70Hz
1280 x 768	60Hz, 75Hz
1280 x 800	60,75Hz
1280 x 960	60Hz

1280x1024	60,67,75Hz
1366 x 768	60Hz
1400 x 1050	60, 75Hz
1440 x 1050	60Hz
1440 x 900	60, 75Hz
1600 x 900	60Hz
1680 x 1050	60Hz
1920 x 1080	60Hz
1920 x 1200	60Hz
3840 x 2160	24,25,30,60Hz
640 x 350	70Hz
640 x 480	60, 67, 72, 75Hz
800 x 600	56, 60, 72, 75Hz
832 x 624	75Hz
848 x 480	60Hz
960x720	75Hz

#### Video formats

Resolution	Refresh rate
1080p	50, 60Hz
720p	50, 60Hz
1080i	50, 60Hz
480p	60Hz
4K x 2K	
576p	50Hz
720p	60Hz

#### Convenience

- Placement: Landscape (18/7)
- Signal loop through: IR Loophrough, DisplayPort, RS232
- Network controllable: RS232, RJ45
- Picture performance: Advanced color control
- Screen saving functions: Pixel Shift, Low Brightness
- Keyboard control: Hidden, Lockable
- Remote control signal: Lockable
- Energy saving functions: Smart Power
- Other convenience: Carrying handles
- Ease of installation: Smart Insert

#### Dimensions

- Bezel width: 16.30 mm(even)
- Set dimensions (W x H x D): 1715.50 x 993.70 x 80.8mm(D@wall mount) / 108.7(D@speaker cover) mm
- Set dimensions in inch (W x H x D): 67.54 x 39.12 x 3.18(D@wall mount) / 4.28 (D@speaker cover) inch
- VESA Mount: 600(H)x400(V) mm, M8
- Product weight: 53.0 kg

- Product weight (lb): 116.85 lb
- Smart Insert mount: 100mm x 100mm, 6xM4L6

#### Sound

- Built-in speakers: 2 x 20W RMS

#### Operating conditions

- Temperature range (operation): 0 ~ 40 °C
- Relative humidity: 20 ~ 80%(Operational), 5 - 95%(Storage) %
- MTBF: 30,000 hour(s)
- Altitude: 0 ~ 3000 m
- Temperature range (storage): -20 ~ 60 °C

#### Power

- Mains power: 100 ~ 240 VAC, 50/60Hz
- Standby power consumption: <0.5W
- Consumption (Typical): 190 W
- Power Saving Features: Smart Power
- Consumption (Max): 380 W
- Energy Label Class: G

#### Accessories

- Included accessories: AC Power Cord, RS232 cable, Remote Control, Batteries for remote control, Quick start guide, HDMI cable, IR sensor cable (1.8M)
- Included Accessories: Cleaning cloth (x1), DVI-D cable (1.8m ), M2 Screw (x2), M3 screw (x2), Philips logo (x1), RS232 daisy-chain cable, Touch Pen (x2), Touch USB (x1), USB Cover (x1)
- Optional accessories: Cast to dangle

#### Miscellaneous

- On-Screen Display Languages: Arabic, English, French, German, Italian, Japanese, Polish, Spanish, Turkish, Russian, Simplified Chinese, Traditional Chinese, Portuguese, Danish, Dutch, Finnish, Norwegian, Swedish
- Regulatory approvals: CE, BSMI, CB, EMF, ETL, FCC, Class A, PSB, RoHS, EAC
- Warranty: 3 year warranty

#### Multimedia Applications

- USB Playback Audio: AAC, M4A, MP3, WMA
- USB Playback Picture: BMP, JPEG, JPG, PNG
- USB Playback Video: ASF, AVI, DAT, FLV, MKV, MP4, MPG, TS, VOB, MPEG, WEBM, WMV

#### Internal Player

- CPU: MTK5680
- Memory: 4GB RAM
- Storage: 32 GB eMMC
- Wifi: AP(WC0SR2511-88112BU), STA(WCT5GM2511MT7668AU)
- GPU: DDR4 4GB

## Datenblatt: Multitouch-Monitore 86“

### Specifications

#### Picture/Display

- Diagonal screen size: 85.6 inch / 217.4 cm
- Panel resolution: 3840 x 2160
- Optimum resolution: 3840x 2160 @ 60Hz
- Brightness: 420 cd/m<sup>2</sup>
- Contrast ratio (typical): 1200:1
- Dynamic contrast ratio: 500,000:1
- Aspect ratio: 16:9
- Response time (typical): 8 ms
- Pixel pitch: 0.4935x0.4935 mm
- Display colors: 1.07 billion
- Viewing angle (H / V): 178 / 178 degree
- Picture enhancement: 3/2 - 2/2 motion pull down, 3D Combfilter, Motion compens. deinterlacing, 3D MA deinterlacing, Dynamic contrast enhancement, Progressive scan
- Operating system: Android 9
- Panel technology: IPS
- Surface treatment: Anti-Glare coating

#### Connectivity

- Video input: Display Port1.2 (x1), DVI-I (x 1), HDMI 2.0 (x4), USB 2.0 (x2), USB 3.0 (x2), USB-C
- Audio input: 3.5mm Jack (x1)
- Audio output: 3.5mm Jack (x2)
- Other connections: OPS, micro SD
- External control: RJ45, RS232C (in/out) 2.5 mm jack, IR (in/out) 3.5 mm jack
- Video output: DVI - D (x1), HDMI 2.0 (x1), USB 2.0 (x2), DisplayPort 1.2 (x1)

#### Supported Display Resolution

Resolution	Refresh rate
1600 x 1200	60Hz
1360 x 768	60Hz
1024x768	60,70Hz
1152 x 864	60, 70, 75Hz
1152 x 900	66Hz
1280 x 720	60,70Hz
1280 x 768	60Hz, 75Hz
1280 x 800	60,75Hz
1280 x 960	60Hz
1280x1024	60,67,75Hz
1366 x 768	60Hz
1400 x 1050	60, 75Hz
1440 x 1050	60Hz
1440 x 900	60, 75Hz
1600 x 900	60Hz

1680 x 1050	60Hz
1920 x 1080	60Hz
1920 x 1200	60Hz
3840 x 2160	24,25,30,60Hz
640 x 350	70Hz
640 x 480	60, 67, 72, 75Hz
800 x 600	56, 60, 72, 75Hz
832 x 624	75Hz
848 x 480	60Hz
960x720	75Hz

#### Video formats

Resolution	Refresh rate
1080p	50, 60Hz
720p	50, 60Hz
1080i	50, 60Hz
480p	60Hz
4K x 2K	
576p	50Hz
720p	60Hz

#### Dimensions

- Set dimensions (W x H x D): 1961.00 x 1132.30 x 80.5mm(D@wall mount) / 108.4mm(D@speaker cover) mm
- Set dimensions in inch (W x H x D): 77.20 x 44.58 x 3.17(D@wall mount) / 4.27 (D@speaker cover) inch
- Bezel width: 16.30 mm(even)
- Product weight (lb): 163.8 lb
- Product weight: 74.3 kg
- VESA Mount: 600(H)x400(V) mm, M8
- Smart Insert mount: 100mm x 100mm, 6xM4L6

#### Convenience

- Placement: Landscape (18/7)
- Keyboard control: Hidden, Lockable
- Signal loop through: RS232, IR Loophthrough, DisplayPort
- Network controllable: RJ45, RS232
- Energy saving functions: Smart Power
- Screen saving functions: Low Bright
- Ease of installation: Smart Insert
- Other convenience: Carrying handles
- Picture performance: Advanced color control
- Remote control signal: Lockable

#### Power

- Standby power consumption: <0.5 W
- Mains power: 100 - 240V~, 50 - 60Hz, 7.5A

- Consumption (Typical): 390 W
- Consumption (Max): 650 W
- Power Saving Features: Smart Power
- Energy Label Class: G

#### Operating conditions

- Temperature range (operation): 0 ~ 40 °C
- Temperature range (storage): -20 ~ 60 °C
- Relative humidity: 20 ~ 80%(Operational), 5 - 95%(Storage) %
- Altitude: 0 ~ 3000 m
- MTBF: 30,000 hour(s)

#### Sound

- Built-in speakers: 2 x 20W RMS

#### Accessories

- Included accessories: Remote Control, Batteries for remote control, Quick start guide, RS232 cable, AC Power Cord, HDMI cable, IR sensor cable (1.8M)
- Included Accessories: RS232 daisy-chain cable, Cleaning cloth (x1), DVI-D cable (1.8m ), M2 Screw (x2), M3 screw (x2), Philips logo (x1), Touch Pen (x2), Touch USB (x1), USB Cover (x1)
- Optional accessories: Cast to dangle

#### Multimedia Applications

- USB Playback Audio: AAC, M4A, WMA, MP3
- USB Playback Video: MKV, MP4, MPEG, MPG, TS, VOB, ASF, AVI, DAT, FLV, WEBM, WMV
- USB Playback Picture: BMP, JPEG, PNG, JPG

#### Miscellaneous

- On-Screen Display Languages: English, French, German, Spanish, Polish, Turkish, Russian, Italian, Simplified Chinese, Traditional Chinese, Arabic, Japanese, Danish, Dutch, Finnish, Norwegian, Portuguese, Swedish
- Regulatory approvals: CE, RoHS, BSMI, CB, ETL, FCC, Class A, PSB, EMF, EAC
- Warranty: 3 year warranty

#### Interactivity

- Multi-touch technology: Advanced infrared touch
- Plug and play: HID compliant
- Protection glass: Anti-Glare, Tempered safety glass
- Touch points: 20 simultaneous touch points

#### Internal Player

- CPU: MTK5680
- GPU: DDR4 4GB
- Memory: 4GB RAM
- Storage: 32 GB eMMC
- Wifi: AP(WC0SR2511-88112BU), STA(WCT5GM2511MT7668AU)

## Datenblatt: Multitouch-Monitore 98“

### 01 DISPLAY EIGENSCHAFTEN

Design	Thin bezel
Bilddiagonale	98", 247.7cm
Panel-Technologie	IPS, AG beschichtetes Glas, Null-Luftspalt
Physikalische Auflösung	3840 x 2160 (8.3 megapixel 4K UHD)
Bildformat	16:9
Helligkeit	400 cd/m <sup>2</sup>
Lichtdurchlässigkeit	88%
Kontrastverhältnis	1200:1
Dynamic contrast	3500:1
Reaktionszeit (GTG)	8ms
Blickwinkel	horizontal/vertikal: horizontal*/vertical 178°, rechts/links: 0°/0°, nach oben/unten: 0°/0°
Farbunterstützung	1.07B 10bit
Horizontalfrequenz	30 - 80kHz
Arbeitsfläche H x B	2162 x 1217mm, 85.1 x 47.9"
Pixelabstand	0.5622mm
Gehäusefarbe/art	schwarz, matt

### 02 TOUCH

Touchscreen Technologie	PureTouch-IR
Touchpunkte	20 (HID, nur wenn das Betriebssystem das unterstützt)
Touch-Genauigkeit	+ - 1mm
Touch-Methode	Stift, Finger, Handschuh
Touch-Oberfläche	USB
Unterstützte Betriebssysteme	Alle iiyama Monitore sind Plug & Play kompatibel mit Windows und Linux. Details zum unterstützten Betriebssystem für die Touch-Modelle finden Sie im Produkthandbuch im Downloadbereich.

### 03 SCHNITTSTELLEN & ANSCHLÜSSE

Analog Video Eingang	VGA x1 (max. 1920x1080 @60Hz)
Digital Video Eingang	HDMI x3 (2.0 - max. 3840x2160 @60Hz, RGB444) USB-C x1 (3.1, 3840x2160 @60Hz - RGB444) - (65W charging, Touch)
Audio Eingang	Mini Jack x1
Monitorsteuerung Eingang	RS-232c x1 (DSUB 9pin) RJ45 (LAN) x1 (LAN Control)
Digital Video Ausgang	HDMI x1 (2.0, 3840x2160 @60Hz - RGB444/YUV444)
Audio Ausgang	S/PDIF (Optical) x1 Mini Jack x1 Lautsprecher 2 x 16W
HDCP	ja
USB Ports	x5 (2.0 x1, 3.0 x2 Medienwiedergabe / Peripheriegeräte / Speicher (seitlich),)
RJ45 (LAN)	x2 (Auto switch für PC & Android, 1000MB)

### 04 FEATURES

Integrierte Software	iiWare 9.0 (Android OS) mit integrierter EasiNote Software, Webbrowser, Dateimanager, Cloud-Laufwerken, WPS Office und EShare für die drahtlose Verbindung mit Windows/iOS/Android-Geräten.
----------------------	---

## Datenblatt: Multitouch-Monitore 98“

WiFi	ja (W-LAN Modul OWM001 - W-LAN Dual-Bandbreite 2.4GHz/5GHz, W-LAN Standard: 11AC 802.11 a/b/g/n/ac)
Hardware	Quad core A73 CPU, Mali G52 GPU Grafikprozessor, 4GB RAM, 32GB interner Speicher
Extra	OPS PC Steckplatz, Umgebungslichtsensor, OTA firmware update
Kiosk Modus	ja
Max. Betriebszeit	24/7
Media Playback	ja
Glasstärke	4mm
Glas Härtegrad	7H
Gehäuseart (Frontrahmen)	Metal
OSD-Tastensperre	ja

### 05 ALLGEMEIN

OSD Menu Sprachen	EN, DE, FR, ES, IT, RU, CZ, NL, PL
Bedientasten	Stromversorgung, Betriebsanzeige, Fernbedienungssensor, Lichtsensor, USB-Anschluss (3.0)
Einstellbare Parameter	Allgemeine Einstellungen (Eingang, Lautstärke, Hintergrundbeleuchtung), Audio Einstellungen (Lautstärke, Bass, Treble, Balance, Töne, Stumm), Bild Einstellungen (Seitenverhältnis, Pixel Shift, Augenschutz, automat. Licht, ECO, ECR), Bildschirm Einstellung (Helligkeit, Kontrast, Farbton, Schärfe, Anzeigemodus, Farbtemperatur), Einstellungen anpassen (H. Position, V. Position, Uhr, Phase, Auto), Einstellungen (Wireless & Netzwerke, persönliche, Eingang & Ausgang, System)
Plug&Play	DDC2B
Garantie	5 Jahre (Einzelheiten und Geltungsbereich finden Sie im Abschnitt "Garantie" auf unserer Website)

### 06 MECHANISCH

Ausrichtung	Querformat
Lüfterloses Design	ja
VESA Halterung	800 x 600mm
Betrieb Temperaturbereich	0°C - 40°C
Lagerung Temperaturbereich	- 20°C - 60°C
MTBF	50.000 Stunden (ohne Hintergrundbeleuchtung)

### 07 ENTHALTENES ZUBEHÖR

Kabel	Netz, HDMI, USB für Touch
Touch Stift	x4 (Doppel-Funktions-Stifte)
Anleitungen	Leitfaden zur Inbetriebnahme, Sicherheits-Hinweise
Sonstige	W-LAN Modul (OWM001) , Befestigungswinkel für NUC, Befestigungswinkel für Webcam
Fernbedienung	ja (Batterien enthalten)

### 08 STROMVERWALTUNG

Netzteil	intern
Stromversorgung	AC 100 - 240V, 50/60Hz
Leistungsaufnahme	222W typisch, 0.5W Standby, 0.5W ausgeschaltet

### 09 LEISTUNG

## Datenblatt: Multitouch-Monitore 98“

Vorschriften	CB, CE, TÜV-Bauart, EAC, RoHS support, ErP, WEEE, REACH (RoHS, PFOS, PFC)
Sonstiges	REACH SVHC über 0.1% Blei enthalten

### 10 ABMESSUNGEN / GEWICHT

Produkt Abmessungen B x H x T	2244.5 x 1323 x 90.5mm
Verpackung Abmessungen B x H x T	2483 x 376 x 1493mm
Gewicht (ohne Verpackung)	103.5kg
Gewicht (inkl Verpackung)	138.8kg
EAN code	4948570118984

